

LINEAR SYSTEMS

Linear Integrated Systems

IT124

SUPER-BETA MONOLITHIC DUAL NPN TRANSISTORS

FEATURES

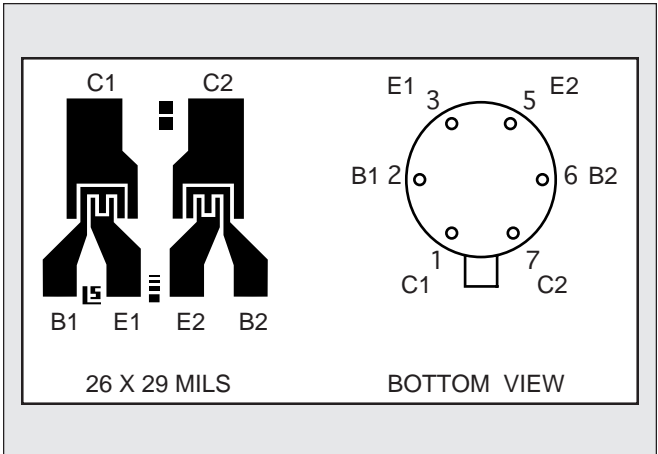
Direct Replacement for Intersil IT124

Pin for Pin Compatible

ABSOLUTE MAXIMUM RATINGS NOTE 1

($T_A = 25^\circ\text{C}$ unless otherwise noted)

I_C	Collector-Current	10mA
Maximum Temperatures		
Storage Temperature Range		-65°C to $+200^\circ\text{C}$
Operating Junction Temperature		$+150^\circ\text{C}$
Maximum Power Dissipation		
		ONE SIDE BOTH SIDES
Device Dissipation @ Free Air		250mW 500mW
Linear Derating Factor		2.3mW/ $^\circ\text{C}$ 4.3mW/ $^\circ\text{C}$



ELECTRICAL CHARACTERISTICS @ 25°C (unless otherwise noted)

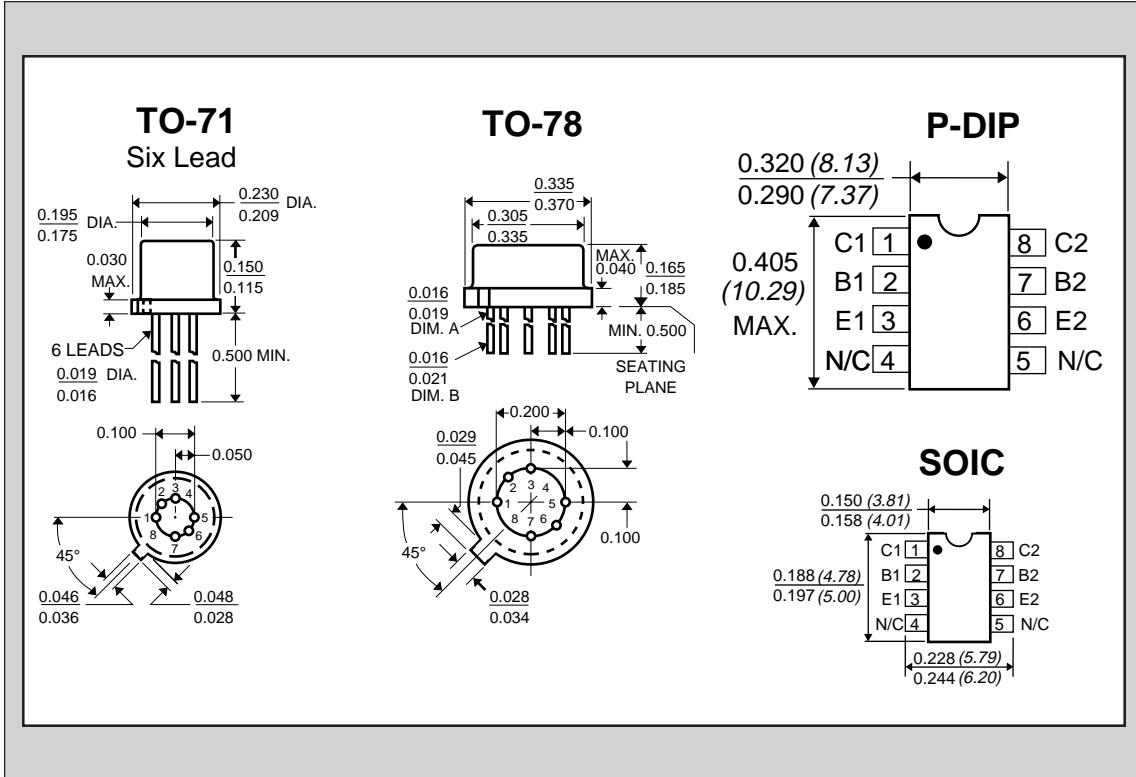
SYMBOL	CHARACTERISTICS	IT124		UNITS	CONDITIONS
BV_{CBO}	Collector-Base Breakdown Voltage	2	MIN.	V	$I_C = 10\mu\text{A}$ $I_E = 0$
BV_{CEO}	Collector to Emitter Voltage	2	MIN.	V	$I_C = 10\mu\text{A}$ $I_B = 0$
BV_{EBO}	Emitter-Base Breakdown Voltage	6.2	MIN.	V	$I_E = 10\mu\text{A}$ $I_C = 0$ NOTE 2
BV_{CCO}	Collector to Collector Voltage	100	MIN.	V	$I_C = 10\mu\text{A}$ $I_E = 0$
h_{FE}	DC Current Gain	1500	MIN.		$I_C = 1\mu\text{A}$ $V_{CE} = 1\text{V}$
h_{FE}	DC Current Gain	1500	MIN.		$I_C = 10\mu\text{A}$ $V_{CE} = 1\text{V}$
$V_{CE(SAT)}$	Collector Saturation Voltage	0.5	MAX.	V	$I_C = 1\text{mA}$ $I_B = 0.1\text{mA}$
I_{CBO}	Collector Cutoff Current	100	MAX.	pA	$I_E = 0$ $V_{CB} = 1\text{V}$
I_{EBO}	Emitter Cutoff Current	100	MAX.	pA	$I_C = 0$ $V_{EB} = 3\text{V}$
C_{OBO}	Output Capacitance	2	MAX.	pF	$I_E = 0$ $V_{CB} = 1\text{V}$
C_{C1C2}	Collector to Collector Capacitance	2	MAX.	pF	$V_{CC} = 0$
I_{C1C2}	Collector to Collector Leakage Current	250	MAX.	pA	$V_{CC} = \pm 50\text{V}$
f_T	Current Gain Bandwidth Product	100	MIN.	MHz	$I_C = 100\mu\text{A}$ $V_{CE} = 1\text{V}$
NF	Narrow Band Noise Figure	3	MAX.	dB	$I_C = 10\mu\text{A}$ $V_{CE} = 3\text{V}$ $R_G = 10\text{K}\Omega$ $f = 1\text{KHz}$ $BW = 200\text{Hz}$

Linear Integrated Systems

4042 Clipper Court, Fremont, CA 94538 • TEL: (510) 490-9160 • FAX: (510) 353-0261

MATCHING CHARACTERISTICS @ 25°C (unless otherwise noted)

SYMBOL	CHARACTERISTICS	IT124		UNITS	CONDITIONS
$ V_{BE1} - V_{BE2} $	Base Emitter Voltage Differential	2	TYP.	mV	$I_C = 10 \mu A$ $V_{CE} = 1V$
		5	MAX.	mV	
$\Delta (V_{BE1} - V_{BE2}) /\Delta T$	Base Emitter Voltage Differential Change with Temperature	5	TYP.	$\mu V/^\circ C$	$I_C = 10 \mu A$ $V_{CE} = 1V$
		15	MAX.	$\mu V/^\circ C$	$T = -55^\circ C$ to $+125^\circ C$
$ I_{B1} - I_{B2} $	Base Current Differential	0.6	MAX.	nA	$I_C = 10 \mu A$ $V_{CE} = 1V$



NOTES:

1. These ratings are limiting values above which the serviceability of any semiconductor may be impaired.
2. The reverse base-to-emitter voltage must never exceed 6.2 volts; the reverse base-to-emitter current must never exceed 10 μA .